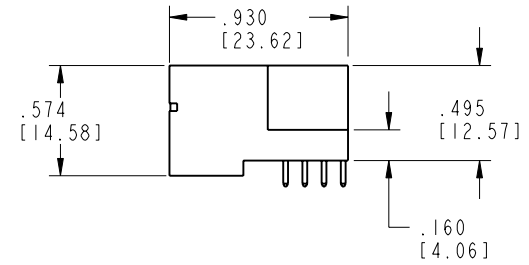
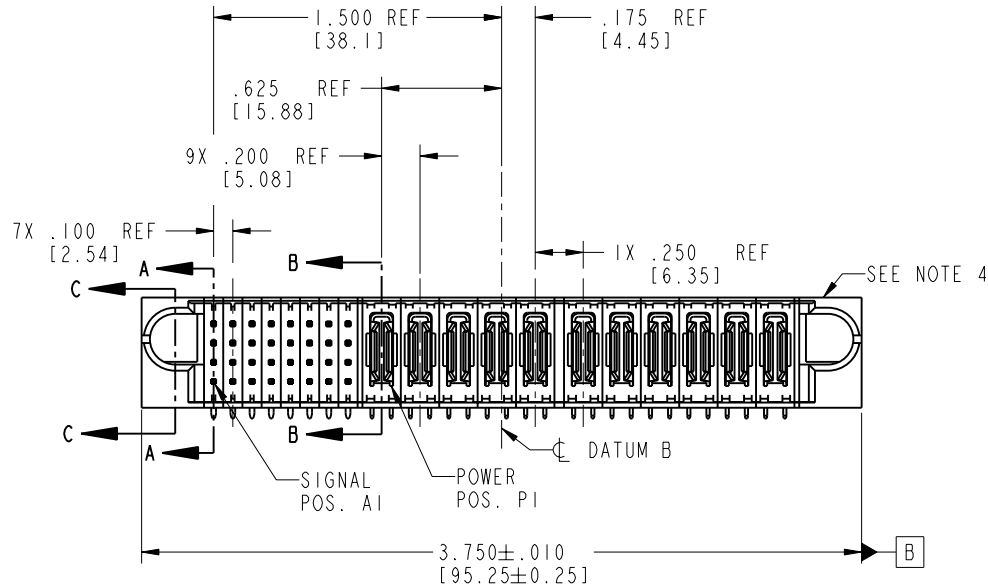


Tous droits strictement réservés. Reproduction ou communication o des liens interdite sous quelque forme que ce soit sans autorisation écrite du propriétaire. Propriete de c FCI. Droits de reproduction FCI.

All rights strictly reserved. Reproduction or issue to third parties in any form whenever is not permitted without written authority from the proprietor. Property of FCI. Copyright FCI.

PRODUCT NO.	ROWS	SIGNAL								POWER											E2
		E1	1	2	3	4	5	6	7	8	P1	P2	P3	P4	P5	P6	P7	P8	P9	P10	
51939-037-- NOTE: 3	D C B A																				



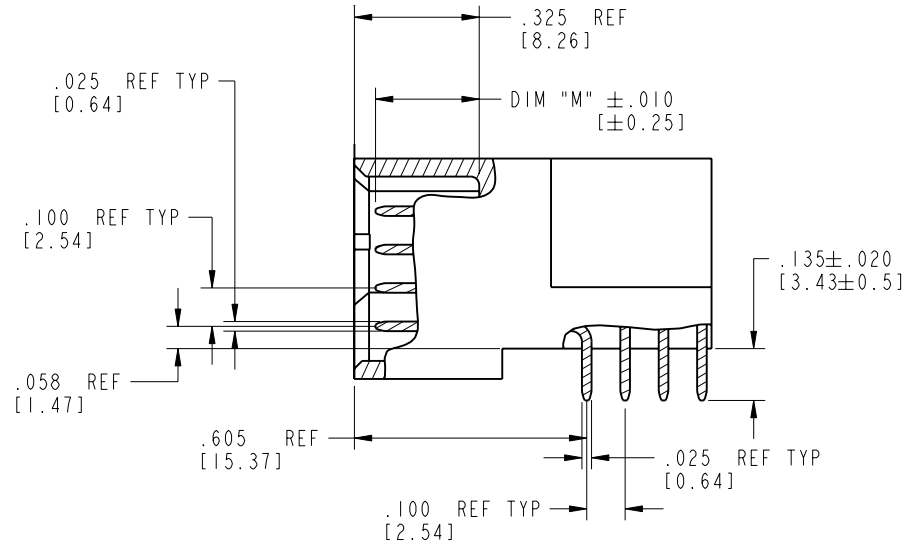
CODE	DIM "M" MATING LENGTH	CONTACT TYPE
U	.270 [6.86]	SIGNAL
T	.270 [6.86]	SIGNAL
S	.270 [6.86]	SIGNAL
R	.270 [6.86]	SIGNAL
PA	N/A [N/A]	POWER
H	.220 [5.59]	SIGNAL

mat'l code				SEE NOTE 2		tolerances unless otherwise specified		CUSTOMER		 www.fciconnect.com		
ltr	ecn no.	dr	date	linear	.XX±.01/0.XX±0.3		COPY		title			
A	V21874	CGD	12/11/02		.XXX±.005/0.XX±0.13		projection		P + S + P			
B	DG06-0008	JMG	01/09/06	angles	.XXX±.0020/0.XXX±0.051				RIGHT ANGLE SOLDER HEADER			
					0° ± 2°		INCH/MM		product family		code	
				dr	C. DAILY	12/11/02	scale		PwrBlade		213	
				engr	M. MOSTOLLER	12/11/02	1:1		size		sheet	
				chr	M. MOSTOLLER	12/11/02			dwg no		1 of 4	
				appd	M. MOSTOLLER	12/11/02			A		51939-037	
sheet index	revision sheet	B	B	B	B							
		1	2	3	4							

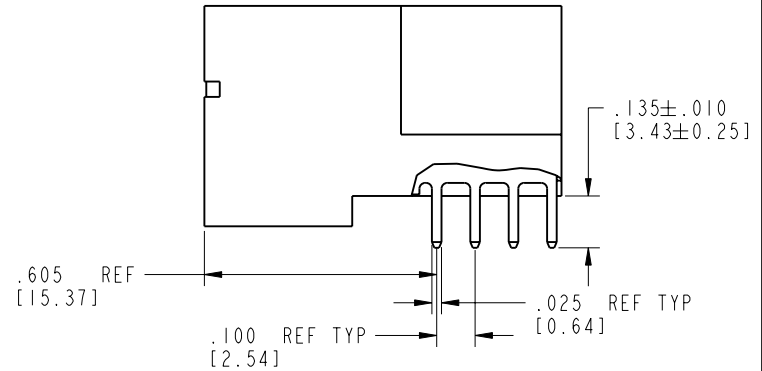
Tous droits strictement réservés. Reproduction ou communication o des liers interdite sous quelque forme que ce soit sans autorisation écrite du propriétaire. Propriété de c FCI. Droits de reproduction FCI.

All rights strictly reserved. Reproduction or issue to third parties in any form, whatever is not permitted without written authority from the proprietor. Property of FCI. Copyright FCI.

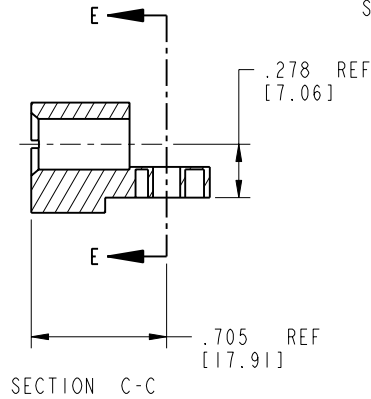
PRODUCT NUMBER
51939-037__
NOTE: 3



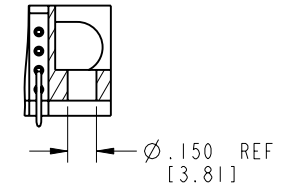
BROKEN-OUT SECTION A-A
SCALE 2:1



BROKEN-OUT SECTION B-B
SCALE 2:1



SECTION C-C



PARTIAL SECTION E-E

mat'l code				SEE NOTE 2		tolerances unless otherwise specified		CUSTOMER		 www.fciconnect.com	
lfr	ecn no.	dr	date	linear	.XX±.01/0.X±0.3	COPY		 INCH/MM	title		
B					.XXX±.005/0.XX±0.13	projection			P + S + P		
					.XXX±.0020/0.XXX±0.051	 scale			RIGHT ANGLE SOLDER HEADER		
					angles	 scale			product family		code
					dr	1:1			PwrBlade		213
				engr			size		sheet		
				chr			A		2 of 4		
				appd			51939-037				
sheet index		revision sheet									

cage code 22526

Pro/E

PDM: Rev:B

STATUS: Released

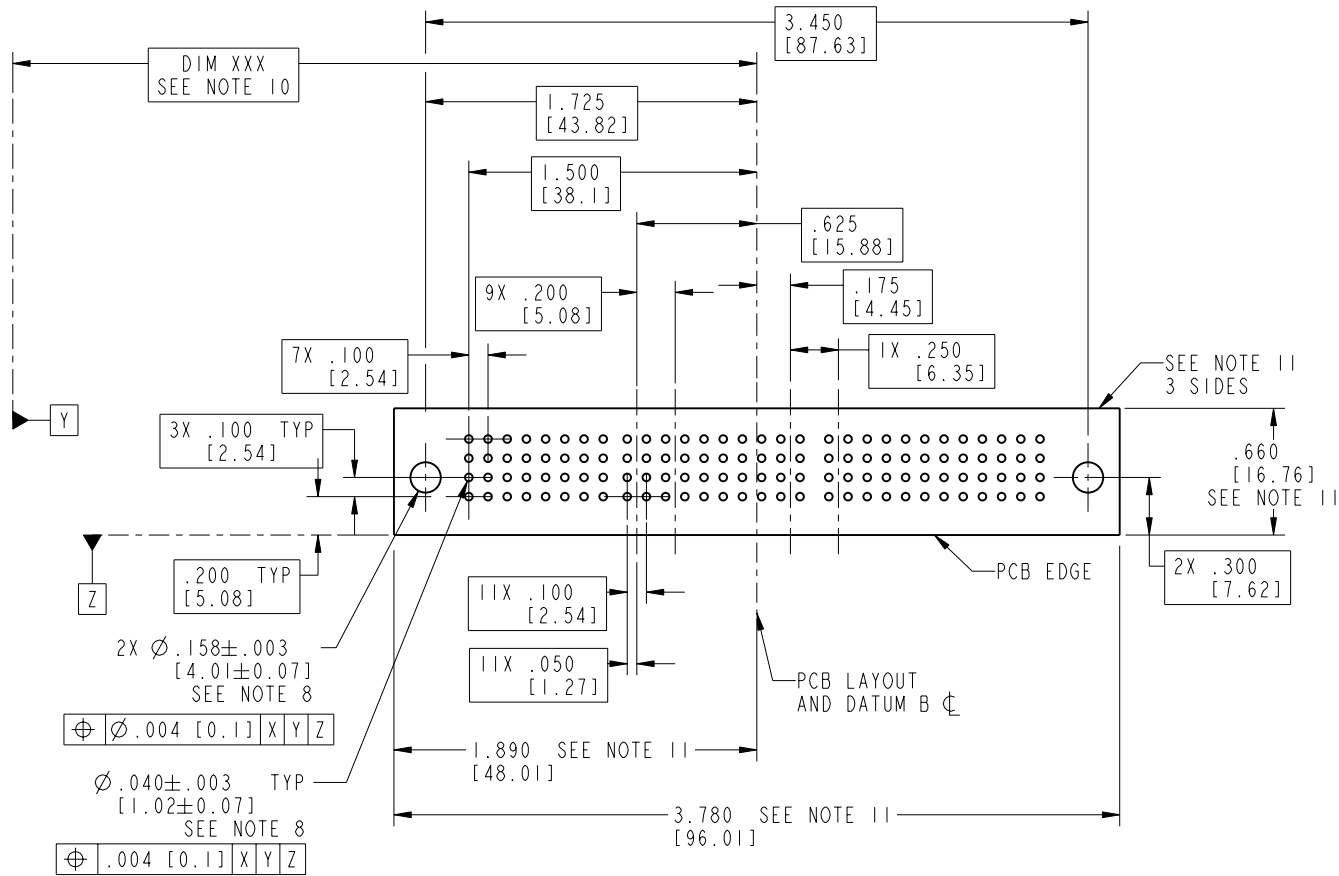
Printed: Aug 14, 2007

Tous droits strictement réservés. Reproduction ou communication o des liers interdite sous quelque forme que ce soit sans autorisation écrite du propriétaire. Propriété de c FCI. Droits de reproduction FCI.


FCI

All rights strictly reserved. Reproduction or issue to third parties in any form, whenever is not permitted without written authority from the proprietor. Property of FCI. Copyright FCI.

PRODUCT NUMBER
51939-037__
NOTE: 3



RECOMMENDED PCB LAYOUT

mat'l code SEE NOTE 2				tolerances unless otherwise specified		CUSTOMER		 FCI www.fciconnect.com	
lfr	ecn no.	dr	date	linear	.XX±.01/0.X±0.3	COPY			
B				angles	.XXX±.005/0.XX±0.13	projection		P + S + P	
				dr	.XXX±.0020/0.XXX±0.051	INCH/MM		RIGHT ANGLE SOLDER HEADER	
				enrg	C. DAILY 12/11/02	scale		product family	
				chr	M. MOSTOLLER 12/11/02	1:1		PwrBlade	
				appd	M. MOSTOLLER 12/11/02			code	
sheet index	revision sheet							size	
								dwg no	
								A 51939-037	
								sheet	
								3 of 4	

cage code 22526

Pro/E

PDM: Rev:B

STATUS: Released

Printed: Aug 14, 2007

Tous droits strictement reserves. Reproduction ou communication o des liers interdite sous quelque forme que ce soit sans autorisation écrite du propriétaire. Propriete de c FCI. Droits de reproduction FCI.



All rights strictly reserved. Reproduction or issue to third parties in any form, whatever is not permitted without written authority from the proprietor. Property of FCI. Copyright FCI.

PRODUCT NUMBER

51939-037__
NOTE: 3

NOTES:

1. DIMENSIONS AND TOLERANCES ARE IN ACCORDANCE WITH ASME Y14.5M, 1994 UNLESS OTHERWISE SPECIFIED.

CONNECTOR NOTES:

- 2. HOUSING MATERIAL: UL 94 V-0 GLASS FILLED
HIGH-TEMP THERMOPLASTIC
POWER CONTACT MATERIAL: COPPER ALLOY
SIGNAL PIN MATERIAL: COPPER ALLOY
 - 3. 51939-037;51939-037LF;51939-037GLF PLATING SPEC. SEE PRINT:10064183
 - 4. MANUFACTURER'S NAME, P/N, AND DATE CODE TO APPEAR ON THIS SURFACE.
 - 5. PRODUCT SPECIFICATION GS-12-149.
APPLICATION SPECIFICATION BUS-20-067.
 - 6. PACKAGED IN TRAYS.
- PCB NOTES:
- 7. ALL HOLE DIAMETERS ARE FINISHED HOLE SIZE.
 - 8. MOUNTING HOLES, WHERE APPLICABLE, ARE UNPLATED.
 - 9. $\varnothing .0453 \pm .0010$ [1.151 \pm 0.025] DRILLED HOLES PLATED WITH .0003 [0.008] MIN SnPb OVER .001 [0.03] TO .003 [0.08] Cu PLATING TO ACHIEVE $\varnothing .040 \pm .003$ [1.02 \pm .07] HOLE.
 - 10. "DIM XXX" TO BE DETERMINED BY THE CUSTOMER.
 - 11. CONNECTOR KEEP-OUT ZONE.

mat'l code		SEE NOTE 2		tolerances unless otherwise specified		CUSTOMER		www.fciconnect.com	
lfr	ecr no.	dr	date	linear	.XX \pm .01/0.X \pm 0.3	COPY			
B				projection	.XXX \pm .005/0.XX \pm 0.13			title	P + S + P
				angles	.XXX \pm .0020/0.XXX \pm 0.051			RIGHT ANGLE SOLDER HEADER	
				dr	C.DAILY 12/11/02	INCH/MM		product family	PwrBlade
				enrg	M. MOSTOLLER 12/11/02			code	213
				chr	M. MOSTOLLER 12/11/02	scale		size	dwg no
				appd	M. MOSTOLLER 12/11/02	1:1		A	51939-037
sheet index	revision sheet							sheet	4 of 4

cage code 22526

Pro/E

PDM: Rev:B

STATUS: Released

Printed: Aug 14, 2007